

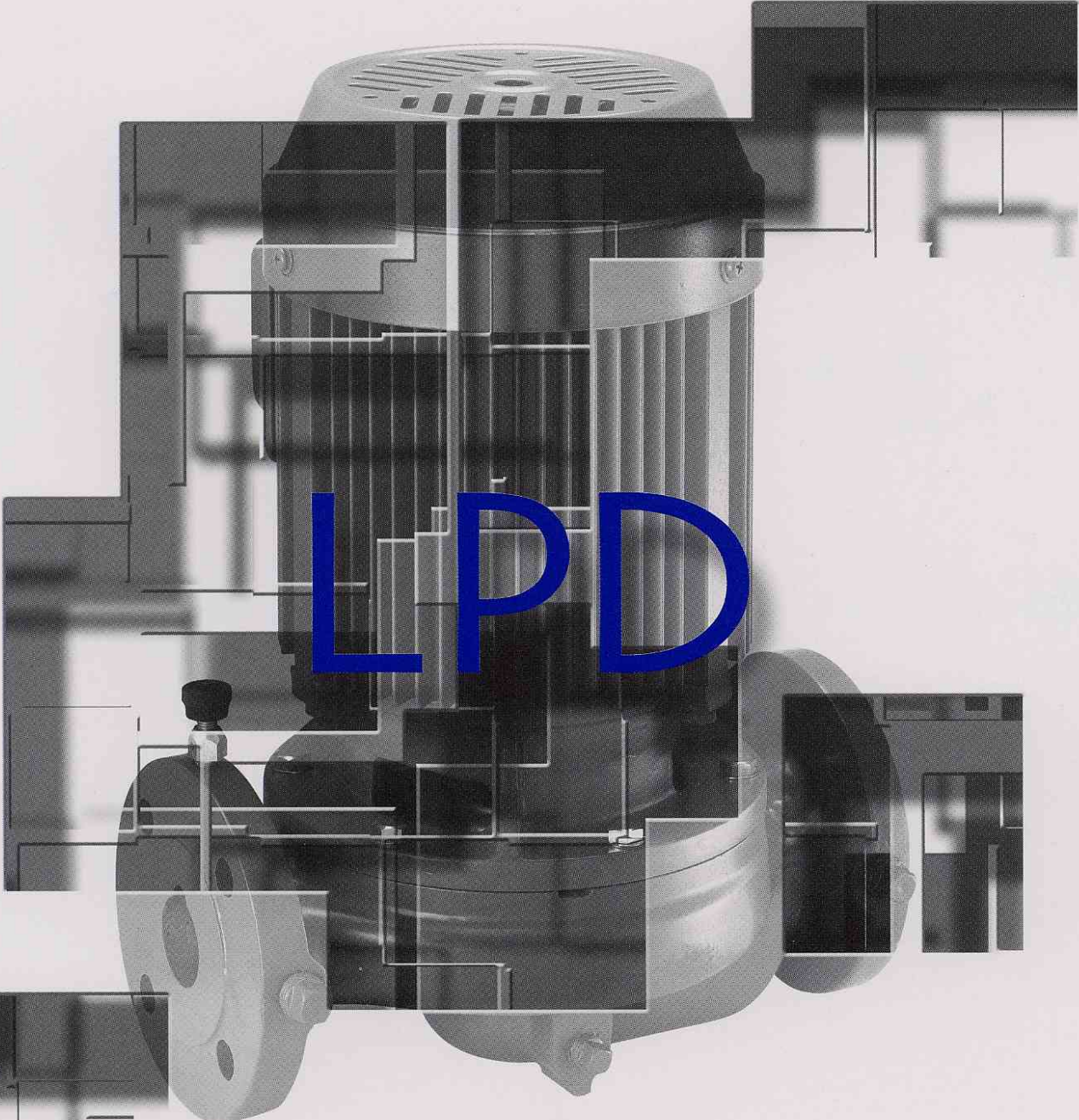


**EBARA**

CF1301UH

# **IN-LINE PUMP**

## **Model LPD**



A detailed cutaway illustration of the Ebara LPD in-line pump. The pump is shown in a vertical orientation, revealing its internal components including the motor, impeller, and various housing parts. The cutaway is rendered in a grayscale style with blue highlights. The letters 'LPD' are prominently displayed in a large, blue, sans-serif font across the center of the pump's body.

**LPD**

## APPLICATIONS



Water supply



Hot, cold water circulation



Cooling tower



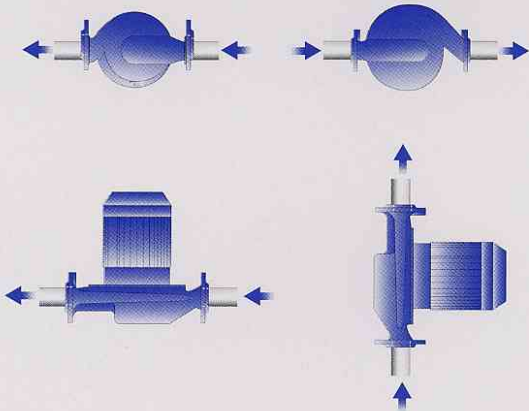
Hot water supply

## FEATURES

1. The two-pole and high speed system makes the pump compact, lightweight and minimizes installation space.
2. No floor space is required for installation.
3. High allowable temperature (Max. 100°C) and high suction pressure (Max. 0.69MPa) are available.
4. Sealed ball bearing eliminates need of lubrication.
5. Mechanical seal facilitates maintenance.

## INSTALLATION

■ Following installations are permissible

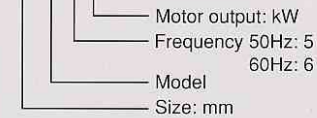


## SPECIFICATIONS

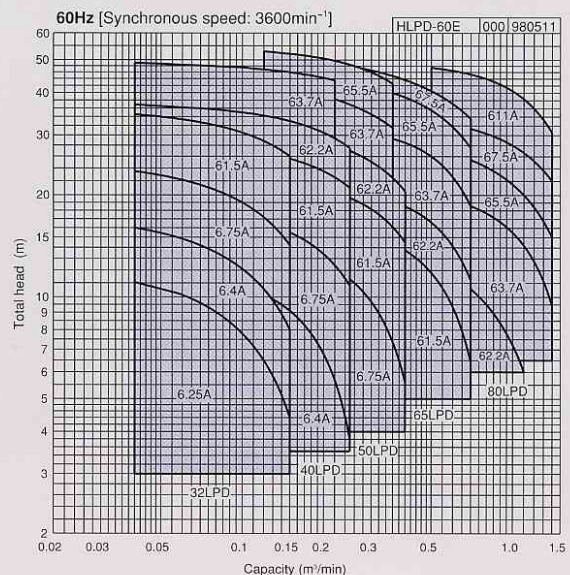
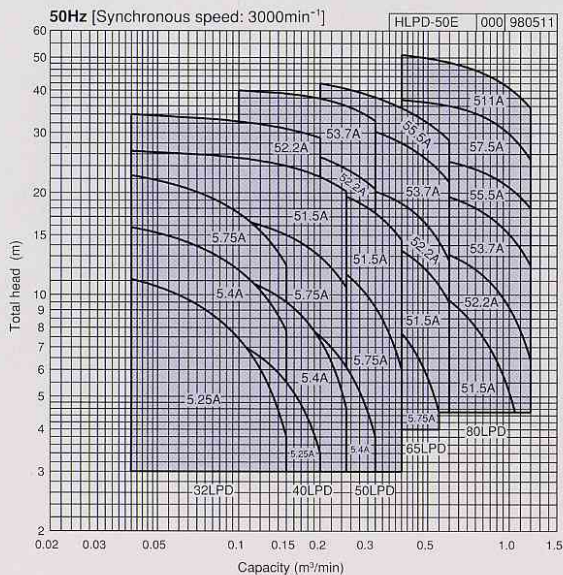
	32~80LPD
Liquid	Fresh water
Temperature	0~100°C
Re.NPSH	Below 4m Except 80LPD 50Hz...Below 4.5m 80LPD 60Hz...Below 6.5m
Max. Suction Pressure	1.0MPa — Shut off head (10.2kgf/cm <sup>2</sup> ) 0.098MPa (10kgf/cm <sup>2</sup> ) Max. 0.69MPa(7kgf/cm <sup>2</sup> )
Construction Impeller Shaft seal Motor bearing	Enclosed Mechanical seal Sealed ball
Pipe connection	JIS 10K Flange
Material Casing Impeller	Cast iron 304 stainless steel ...50Hz: Size 50 & below with output 1.5kw & below ...60Hz: Size 50 & below with output 2.2kw & below Bronze ...Except above models 304 stainless steel
Shaft	
Motor	Totally Enclosed Fan Cooled

### Symbol

40 LPD 5 .4 A

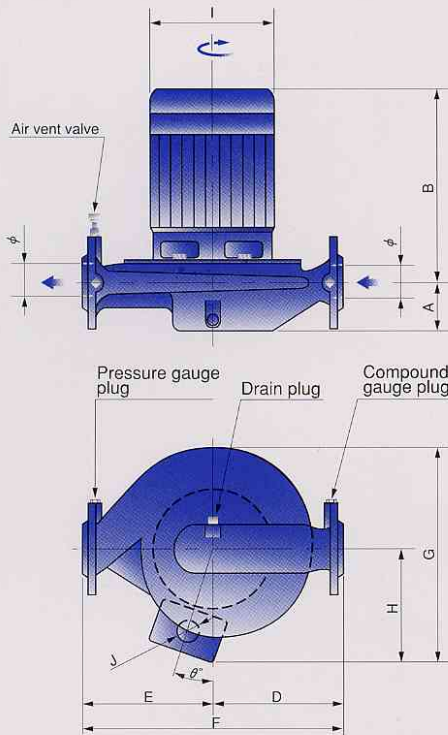


## SELECTION CHARTS



# DIMENSIONS

## Three phase



## Three phase

### 50Hz

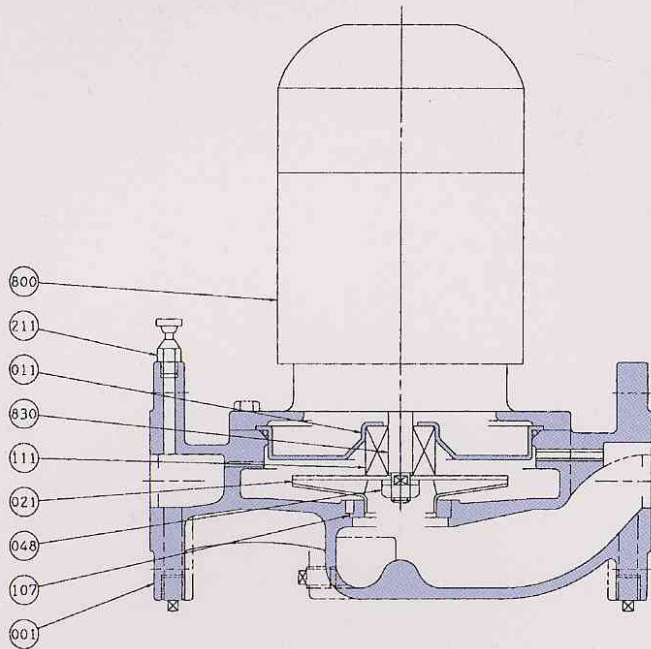
Size mm	Model	Output kW	Pump											Wt. (Mass) kg
			A	B	D	E	F	G	H	I	J	$\theta^\circ$		
32	32LPD5.25A	0.25	68	264	140	140	280	231	130	131	22	15	22	
	32LPD5.4A	0.4	68	264	140	140	280	231	130	131	22	15	23	
	32LPD5.75A	0.75	68	285	140	140	280	241	140	172	22	-	24	
40	40LPD5.25A	0.25	70	264	155	155	300	235	130	131	22	15	23	
	40LPD5.4A	0.4	70	264	155	155	300	235	130	131	22	15	24	
	40LPD5.75A	0.75	70	285	155	155	300	245	140	172	22	-	25	
	40LPD51.5A	1.5	70	319	155	155	300	255	150	196	22	-	29	
50	40LPD52.2A	2.2	87	348	180	180	340	266	155	196	27	-	37	
	50LPD5.4A	0.4	78	274	160	160	310	242	130	131	22	15	26	
	50LPD5.75A	0.75	78	295	160	160	310	255	140	172	22	-	27	
	50LPD51.5A	1.5	78	329	160	160	310	262	150	196	22	-	31	
	50LPD52.2A	2.2	83	355	160	160	310	264	155	196	27	-	37	
65	50LPD53.7A	3.7	95	430	175	175	340	290	170	224	27	-	52	
	65LPD5.75A	0.75	88	364	175	175	340	259	140	172	22	-	33	
	65LPD51.5A	1.5	88	372	175	175	340	269	150	196	22	-	38	
	65LPD52.2A	2.2	88	372	175	175	340	274	155	196	27	-	39	
	65LPD53.7A	3.7	95	426	185	185	370	285	170	224	27	-	53	
80	65LPD55.5A	5.5	95	475	190	190	370	340	205	267	35	-	74	
	80LPD51.5A	1.5	110	362	200	200	390	270	150	196	22	-	41	
	80LPD52.2A	2.2	110	362	200	200	390	275	155	196	27	-	42	
	80LPD53.7A	3.7	110	443	200	200	390	293	170	224	27	-	56	
	80LPD55.5A	5.5	110	480	200	200	390	328	205	267	35	-	72	
	80LPD57.5A	7.5	110	480	220	220	430	340	205	267	35	-	80	

### 60Hz

Size mm	Model	Output kW	Pump											Wt. (Mass) kg
			A	B	D	E	F	G	H	I	J	$\theta^\circ$		
32	32LPD6.25A	0.25	68	264	140	140	280	231	130	131	22	15	22	
	32LPD6.4A	0.4	68	264	140	140	280	231	130	131	22	15	23	
	32LPD6.75A	0.75	68	285	140	140	280	241	140	172	22	-	24	
	32LPD61.5A	1.5	68	319	140	140	280	251	150	196	22	-	28	
40	40LPD6.4A	0.4	70	264	155	145	300	235	130	131	22	15	24	
	40LPD6.75A	0.75	70	285	155	145	300	245	140	172	22	-	25	
	40LPD61.5A	1.5	70	319	155	145	300	255	150	196	22	-	29	
	40LPD62.2A	2.2	70	319	155	145	300	260	155	196	27	-	31	
50	40LPD63.7A	3.7	87	412	180	160	340	281	170	224	27	-	47	
	50LPD6.75A	0.75	78	295	160	150	310	255	140	172	22	-	27	
	50LPD61.5A	1.5	78	329	160	150	310	262	150	196	22	-	31	
	50LPD62.2A	2.2	78	329	160	150	310	267	155	196	27	-	33	
	50LPD63.7A	3.7	83	419	160	150	310	279	170	224	27	-	48	
65	50LPD65.5A	5.5	95	467	175	165	340	325	205	267	35	-	68	
	65LPD61.5A	1.5	88	372	175	165	340	269	150	196	22	-	38	
	65LPD62.2A	2.2	88	372	175	165	340	269	150	196	27	-	39	
	65LPD63.7A	3.7	88	436	175	165	340	289	170	224	35	-	50	
	65LPD65.5A	5.5	95	475	185	185	370	320	205	267	35	-	68	
80	65LPD67.5A	7.5	95	475	190	180	370	340	205	267	35	-	79	
	80LPD62.2A	2.2	110	362	200	190	390	275	155	196	27	-	42	
	80LPD63.7A	3.7	110	426	200	190	390	290	170	224	35	-	52	
	80LPD65.5A	5.5	110	480	200	190	390	328	205	267	35	-	72	
	80LPD67.5A	7.5	110	480	200	190	390	328	205	267	35	-	77	
	80LPD611A	11	110	629	220	210	430	420	285	318	52	-	150	

# CONSTRUCTIONS

## Sectional View



PART NO	PART NAME
001	CASING
011	CASING COVER
021	IMPELLER
048	IMPELLER NUT
107	CASING RING
111	MECHANICAL SEAL
211	AIR VENT PLUG
800	MOTOR
830	SHAFT

Note: This drawing represents standard model LPD.  
some variations according to model.

## CAUTION

- Do not attempt to operate, inspect or service this pump before you have read and understood manual of pump.
- Wiring and grounding work must NOT be performed by unqualified persons. It is extremely dangerous for unqualified persons to perform such work. The user should install electrical leakage breakers and overload safety devices to prevent electric shock and fire.

\*All specifications subject to change without notice.



### Head Office & Sales Office Water Department

Jl. Gunung Sahari Raya No. 57G  
Jakarta 10610 Indonesia  
Phone : +6221 - 420 9908  
Inquiry : sales@indobara.co.id (water / pompa)  
General Info : info@indobara.co.id

### Workshop & Warehouse

Jl. Raya Golf Palm Hill No. 7 Rt 02 Rw 02 Desa Kadumanggu  
Kec Babakan Madang Kab Bogor  
Phone : +6221 - 420 9908  
Email : info.wrk@indobara.co.id